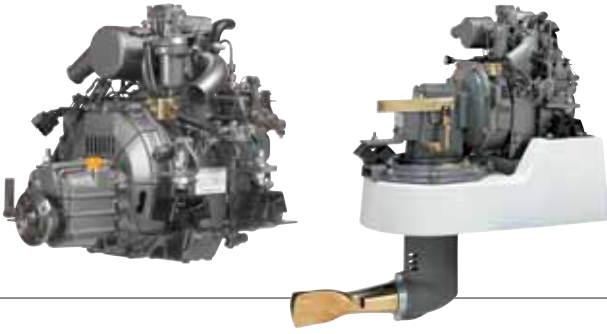


Yanmar type 1GM10

The Powerful Gem



Configuration	4-stroke, vertical, raw water cooled diesel engine
Maximum output at crankshaft	* 6.7 kW (9 mhp) / 3600 rpm ** 6.6 kW (9 mhp) / 3600 rpm
Continuous rating output at crankshaft	5.9 kW (8 mhp) / 3400 rpm
Displacement	0.318 L (19.41 cu in)
Bore x stroke	75 mm x 72 mm (2.95 in x 2.83 in)
Cylinders	1
Combustion system	Indirect injection (special swirl type pre-combustion chamber)
Aspiration	Natural aspiration
Starting system	Electric starting 12 V - 1.0 kW with manual combination
Alternator	12 V – 35 A
Cooling system	Direct seawater cooling by rubber impeller seawater pump
Lubrication system	Enclosed, forced lubricating system
Direction of rotation (crankshaft)	Counter clockwise viewed from stern
Dry weight without gear	71 kg (156.5 lbs)
Environmental	EPA Tier 2, RCD, SAV, BSO. Meets the EU comprehensive emissions regulation 2006
Engine mounting	Rubber type flexible mounts

NOTE: Fuel condition: Density at 15°C = 0.84 g/cm³; 1kW = 1.3596 mhp = 1.3410 HP

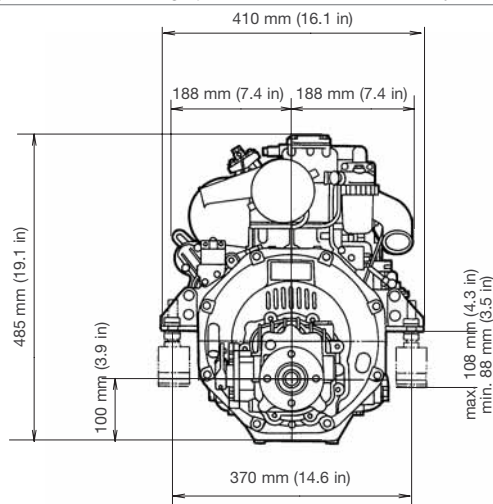
* Fuel temperature 25°C at the inlet of the fuel injection pump (ISO 3046-1)

** Fuel temperature 40°C at the inlet of the fuel injection pump (ISO 8665)

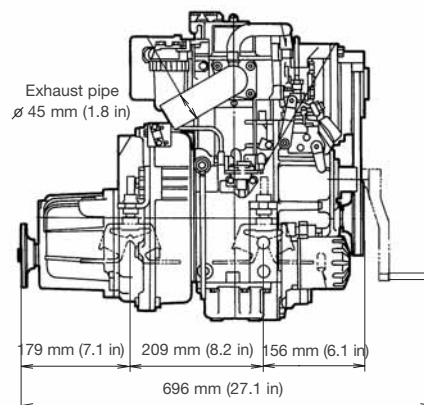
Technical data is according to ISO 8665 / 3046

Dimensions (For detailed line-drawings, please refer to our web-site: www.yanmarmarine.com or contact your supplier)

Rear view

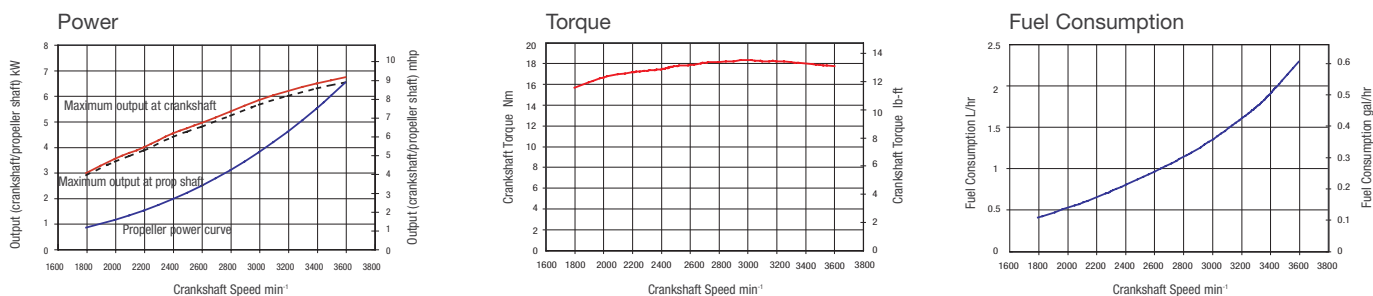


Right side view



1GM10 w/
KM2P-1 marine gear

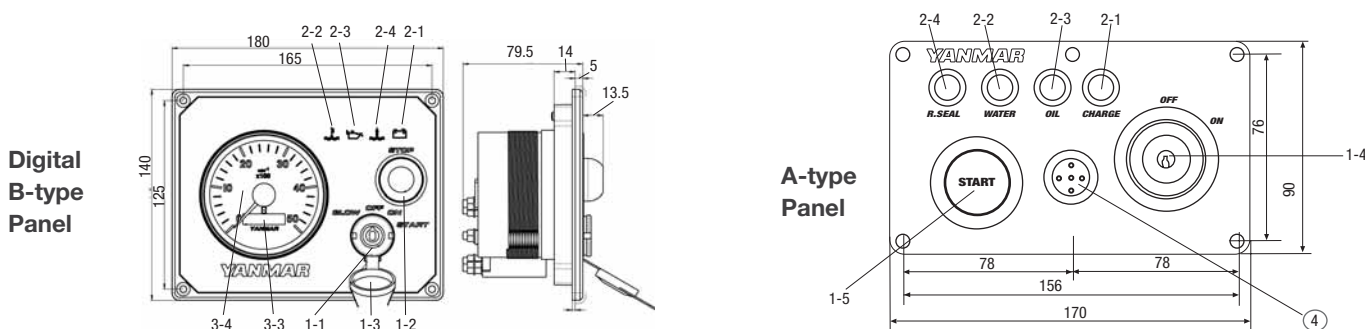
Performance Curves (Output is according ISO 8665)



Marine Gears/Drive

Model	KM2P-1			KM3V (V-drive)			Saildrive (SD20)
Type	Constant mesh gear with servo-cone clutch			Constant mesh gear with servo-cone clutch			Constant mesh gear with dog clutch
Dry weight	10 kg (24 lbs)			19 kg (42 lbs)			30 kg (66 lbs)
Reduction ratio (fwd/asn)	2.21/3.06	2.62/3.06	3.22/3.06	2.36/3.16	2.61/3.16	3.20/3.16	2.64/2.64
Propeller speed (fwd/asn)	1629/1164	1374/1164	1118/1164	1525/1139	1379/1139	1125/1139	1364/1364
Direction of rotation (propeller shaft - fwd)	Clockwise viewed from stern			Clockwise viewed from stern			Counter clockwise viewed from stern
Dry weight engine and gear/drive	81 kg (179 lbs)			90 kg (198 lbs)			104 kg (229 lbs)
Length engine and gear/drive	554 mm (22 in)			680 mm (27 in)			723 mm (29 in)

Instrument Panels



Function	Type of instrument panel	
	Digital B-type Panel	A-type Panel
① Switch unit		
1-1 Key switch for GLOW/OFF/ON/START (4-position switch)	O	X
1-2 Push button switch for engine stop	O	X
1-3 Moisture cap for key switch	O	X
1-4 Key switch for ON/OFF (2-position switch)	X	O
1-5 Push button switch for engine start	X	O
② Alarm lamp unit		
2-1 Battery low charge alarm	O	O
2-2 Coolant high temperature alarm	O	O
2-3 Lubricating oil low pressure	O	O
2-4 Water in sail drive seal alarm	O	O
2-5 Water in fuel filter alarm	X	X
2-6 Sea water insufficient flow alarm	X	X
③ Meters		
3-1 Lubricating oil pressure meter	X	X
3-2 Coolant temperature meter	X	X
3-3 Hour meter	O	X
3-4 Tachometer	O	X
④ Audible alarm buzzer	O	O

Note: O = Equipped on panel X = Not equipped on panel

Accessories

Standard Package

- Sensor for instrument panel
- Rubber type flexible mounts
- Exhaust mixing elbow (L-type)
- Alternator 35 A

Optional

- A-panel
- New B-panel
- Digital B-panel
- Various extension wire harnesses
- Hot water fittings

Texts and illustrations are not binding. Yanmar Marine reserves the right to introduce adaptations without prior notification.

1GM10 Version: 2006-03